



Hennessy
PARADIS
RARE
COGNAC

DESIRABLE.
MEANINGFUL. ASSURED.

Iconic packaging powered by a true hardwood expert



THE PERFECT CHOICE

FROM EVERY ANGLE

Wooden packaging signals authenticity, connection, and permanence. And it can go far beyond the standard wooden box. Done right, it turns unboxing into something ceremonial. Wood creates an emotional pull that synthetics can't replicate.

- **Customers** love the memorable tactility – it reinforces desire.
- **Brands** love the crafted look and feel – distinctive, premium, and hard to copy.
- **The planet** loves the **sustainability** benefits from a naturally renewing material – with CO₂ stored in the wood.

Danzer offers a broad portfolio of hardwood materials and proven know-how – so you can realize truly exceptional packaging, **from every angle**.

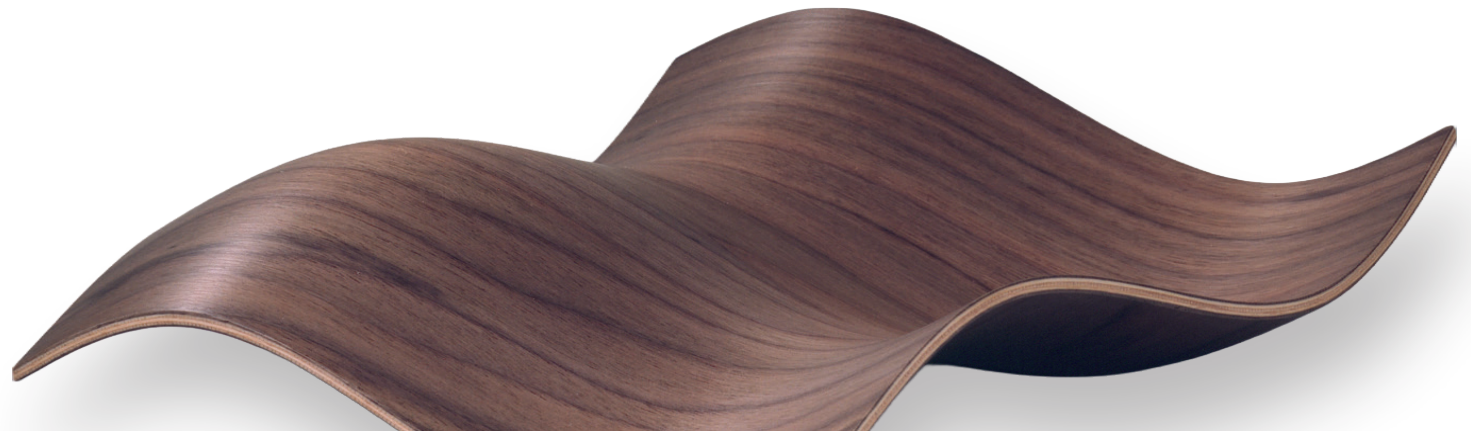
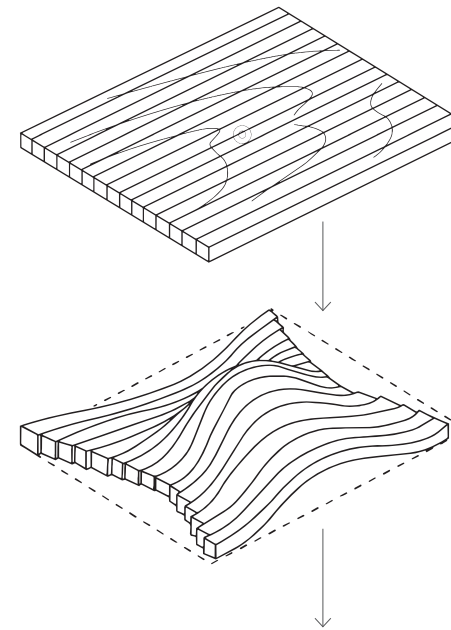
WOOD DOESN'T LIKE RULES WE MAKE IT BEHAVE

FROM CONCEPT SKETCH TO SERIES-READY

Wood resists, bends, and reacts – and that's exactly why it's so inspiring. Where others see unpredictability, we see possibility. We know how grain, moisture, and structure shape the outcome, and we translate that knowledge into repeatable processes – so a concept survives the journey from sketch to shelf without losing its soul.

With Danzer you can:

- **Shape wood into unexpected forms** – bends, curves, wraps, and organic geometries.
- **Play with extremes** – feather-light elegance or bold, sculptural presence.
- **Design with confidence in consistency** – natural or engineered surfaces with a predictable look across series and locations.
- **Create without supply anxiety** – backed by the reliability of a global hardwood specialist.



WE'RE WITH YOU FROM FOREST TO FINISH

RESOURCE EXPERTISE. FLEXIBLE SUPPORT.
DEPENDABLE SUPPLY.



We don't step away once the material selection is approved. That's when the real work begins: turning a bold idea into repeatable reality. From the initial concept to steady industrial-scale delivery, we stay with you – so ambition never becomes a gamble.



- **We listen and adapt.**
Every project has its own requirements. We translate your intent into practical choices – and adjust quickly when requirements change.
- **We're resourceful.**
With a broad procurement network and deep species expertise, we secure what you need – or propose credible alternatives.
- **We deliver with confidence.**
Consistent quality at scale, responsible sourcing, and the documentation discipline procurement depends on – including clear guidance through regulatory demands.

LIKE A FOREST OUR REPUTATION CONTINUALLY GROWS

TRUSTED BY LEADING BRANDS,
MANUFACTURERS AND
DESIGNERS WORLDWIDE

Permanence is the ultimate luxury. While trends fluctuate and synthetics cycle through the market, we remain stewards of a material that works on a century-long horizon. Our authority isn't built on a single success. It's earned through decades of cumulative learning – mastering the most demanding (and rewarding) organic resource on earth and translating its beauty into repeatable performance at scale.

That legacy shows up in what our partners experience every day:

- **Long-term relationships** built on quality, trust, and follow-through.
- **A proven record of consistency** across projects, sites, and years.
- **Creative freedom** that doesn't come with delivery risk – bold ideas, reliably executed.

Excellence rooted in generations of hardwood expertise – and a partner built for what comes next.



GENESIS

FERRAGAMO



VALENTINO



Hennessy
COGNAC



HermanMiller

WALTER KNOLL

Foster +
Partners

Zaha Hadid
Architects




LET'S EXPLORE WHAT WE CAN DO FOR YOUR NEXT PACKAGING IDEA

FROM A QUICK CONVERSATION TO A STRUCTURED WORKSHOP



Connect with me today for a no-obligation conversation about your needs. No preparation needed on your part.

Gertraud Storz
gertraud.storz@danzer.com | 

Danzer AG
Industriering 40
9491 Ruggell
Liechtenstein

HARDWOOD EXCELLENCE SINCE 1932.



danzer.com